



# Cast Steel - Gate Globe Check - Index

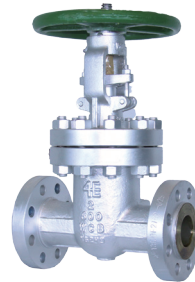
## 4E VALVE API WCB Cast Steel Gate Valves, CLASS 150 - 600



**150# GATE VALVE**  
IS 2"- 24" | BO 26"- 42"



**300# GATE VALVE**  
IS 2"- 16" | BO 18"- 36"



**600# GATE VALVE**  
IS 2"- 12" | BO 14"- 24"



**150# NRS GATE VALVE**  
IS 2"- 12"

## 4E VALVE API WCB Cast Steel Globe Valves, CLASS 150 - 600



**150# GLOBE VALVE**  
IS 2"- 12" | BO 18"- 24"



**300# GLOBE VALVE**  
IS 2"- 12" | BO 14"- 18"

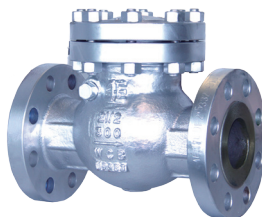


**600# GLOBE VALVE**  
IS 2"- 8" | BO 10"- 16"

## 4E VALVE API WCB Cast Steel Check Valves, CLASS 150 - 600



**150# CHECK VALVE**  
IS 2"- 16" | BO 18"- 30"



**300# CHECK VALVE**  
IS 2"- 12" | BO 14"- 30"



**600# CHECK VALVE**  
IS 2"- 10" | BO 12"- 24"

IS - IN STOCK  
BO - BACK ORDER

# Class 150 Swing Check Valve



**FIG.# 31WCB8F**

*Bolted Cover, Swing Type Disc, Threaded or Welded Seat Ring, ASTM A216 WCB*

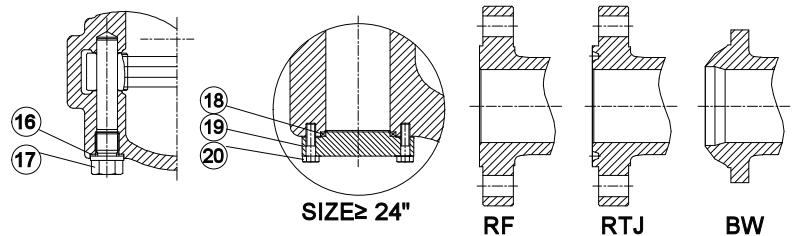
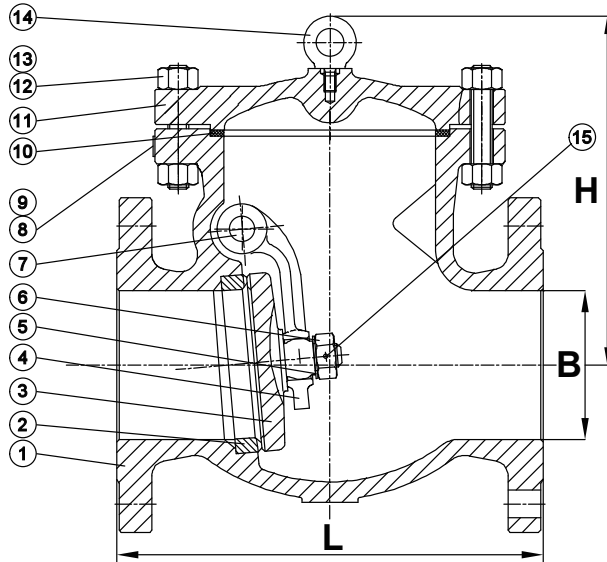


**STANDARDS COMPLIANCE:**

|                         |  |
|-------------------------|--|
| Basic Design            | BS 1868 & ASME B16.34  |
| Face to Face Dimensions | ANSI B 16.10   |
| End Flange Dimensions   | 2" to 24" ASME B16.5<br>≥26" to ASME B16.47-A&B<br>ASME B16.25 |
| Test Standard           | API 598  |

**MATERIAL LIST**

| No. | Part Name         | ASTM Specification (Specs-Grades/Types)                |   |             |            |              |
|-----|-------------------|--|---|-------------|------------|--------------|
|     |                   | A216 (STOCKING)<br>WCB                                 | A352<br>LCC   | A217<br>WC6 | A217<br>C5 | A351<br>CF8M |
| 1.  | Body              | A216 WCB   | A352 LCC  | A217 WC6    | A217 C5    | A351 CF8M    |
| 2.  | Seat Ring         | A105   | A350 LF2, A182 F11, A182 F5, A182 F304 or A182 F316 |             |            |              |
|     | " Surface         | HF (STL.6/CoCr-A) 13CR(ER410), 304, 316 or Monel       |   |             |            |              |
| 3.  | Disc              | A105   | A350 LF2, A182 F11, A182 F5, A182 F304 or A182 F316 |             |            |              |
|     | " Seating Surface | 13CR(ER410) HF (STL.6/CoCr-A), 304, 316 or Monel       |   |             |            |              |
| 4.  | Hinge             | A216 WCB   | A352 LCC  | A217 WC6    | A217 C5    | A351 CF8M    |
| 5.  | Washer            | A276 410 A182 F304 or A182 F316                        |   |             |            |              |
| 6.  | Nut               | A276 410 A182 F304 or A182 F316                        |   |             |            |              |
| 7.  | Pin               | A276 410 A182 F304 or A182 F316                        |   |             |            |              |
| 8.  | Rivet             | ANSI 304   |   |             |            |              |
| 9.  | Name Plate        | ANSI 304   |   |             |            |              |
| 10. | Gasket            | 08F+Flexible Graphite F304 or F316 + Flexible Graphite |   |             |            |              |
| 11. | Bonnet            | A216 WCB   | A352 LCC  | A217 WC6    | A217 C5    | A351 CF8M    |
| 12. | Bolt              | A193 B7  | A320 L7   | A193 B16    | A193 B16   | A193 B8      |
| 13. | Nut               | A194 2H  | A194 2H   | A194 4      | A194 4     | A194 8       |
| 14. | Eye Bolt          | CARBON STEEL   |   |             |            |              |
| 15. | Pin               | ANSI 304   |   |             |            |              |
| 16. | Gasket            | SOFT IRON  |   |             | F316       |              |
| 17. | Plug              | A276 410 A182 F316                                     |   |             |            |              |
| 18. | Gasket            | SOFT IRON F316   |   |             |            |              |
| 19. | Gland             | A276 410 A182 F304, A182 F316 or Monel                 |   |             |            |              |
| 20. | Hex Bolt          | CARBON STEEL 316                                       |   |             |            |              |



Weights are approximate and construction is subject to change without notice.

**DIMENSION & WEIGHT**

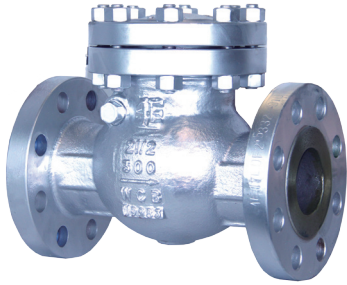
| SIZE     | unit | 2"   | 2-2/1" | 3"    | 4"    | 5"    | 6"    | 8"    | 10"   | 12"   | 14"   | 16"   | 18"   | 20"   | 24"   | 28"   | 30"   |
|----------|------|------|--------|-------|-------|-------|-------|-------|-------|-------|-------|-------|-------|-------|-------|-------|-------|
| L(RF/BW) | inch | 8.00 | 8.50   | 9.50  | 11.50 | 13.00 | 14.00 | 19.50 | 24.50 | 27.50 | 31.00 | 34.00 | 38.50 | 38.50 | 51.00 | 57.00 | 60.00 |
|          | mm   | 203  | 216    | 241   | 292   | 330   | 356   | 495.3 | 622   | 698   | 787   | 864   | 978   | 978   | 1295  | 1448  | 1524  |
| L(RTJ)   | inch | 8.50 | 9.00   | 10.00 | 12.00 | 13.50 | 14.50 | 20.00 | 25.00 | 28.00 | 31.50 | 34.50 | 39.00 | 39.00 | 51.50 | -     | -     |
|          | mm   | 216  | 229    | 254   | 305   | 343   | 368   | 508   | 635   | 711   | 800   | 876   | 991   | 991   | 1308  | -     | -     |
| B        | inch | 2.00 | 2.52   | 3.00  | 4.00  | 5.00  | 6.00  | 8.00  | 10.00 | 12.00 | 13.25 | 15.25 | 17.25 | 19.25 | 23.25 | 27.25 | 29.25 |
|          | mm   | 51   | 64     | 76    | 102   | 127   | 152   | 203   | 254   | 305   | 337   | 387   | 438   | 489   | 591   | 692   | 743   |
| H        | inch | 5.28 | 6.06   | 6.61  | 8.90  | 10.31 | 10.55 | 13.31 | 15.75 | 18.43 | 20.59 | 21.85 | 23.66 | 24.65 | 28.54 | 31.42 | 37.44 |
|          | mm   | 134  | 154    | 168   | 226   | 262   | 268   | 338   | 400   | 468   | 523   | 555   | 601   | 626   | 725   | 798   | 951   |
| WT.      | KG   | 17   | 24     | 28    | 42    | 54    | 68    | 118   | 179   | 302   | 401   | 510   | 638   | 717   | 1162  | 1532  | 2100  |
|          | LB   | 38   | 53     | 62    | 93    | 119   | 150   | 260   | 395   | 666   | 884   | 1124  | 1407  | 1580  | 2562  | 3378  | 4630  |



# Class 300 Swing Check Valve

**FIG.# 33WCB8F**

*Bolted Cover, Swing Type Disc, Threaded or Welded Seat Ring, ASTM A216 WCB*

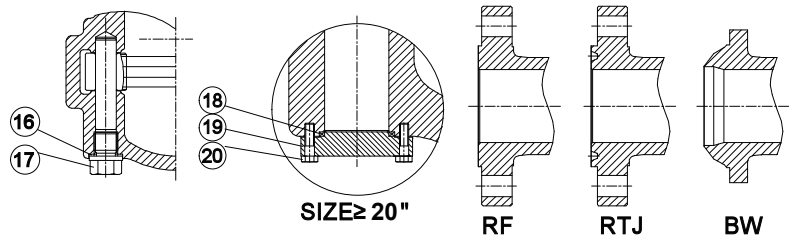
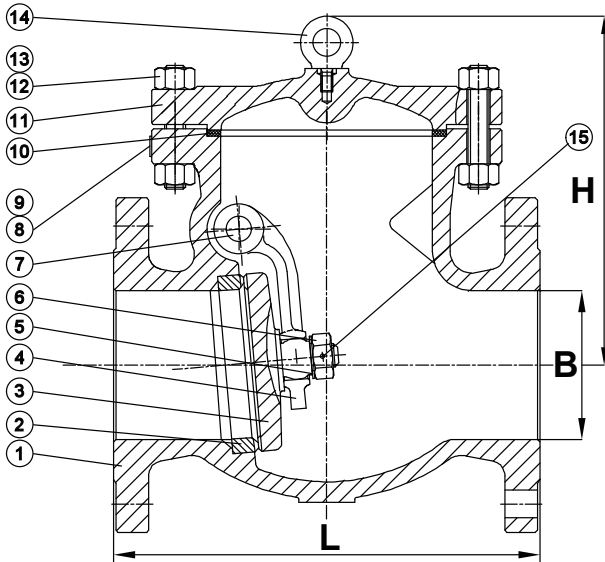


**STANDARDS COMPLIANCE:**

|                         |  |
|-------------------------|--|
| Basic Design            | BS 1868 & ASME B16.34  |
| Face to Face Dimensions | ANSI B 16.10   |
| End Flange Dimensions   | 2" to 24" ASME B16.5<br>≥26" to ASME B16.47-A&B<br>ASME B16.25 |
| Test Standard           | API 598  |

**MATERIAL LIST**

| No. | Part Name         | ASTM Specification (Specs-Grades/Types)                |   |                               |          |              |
|-----|-------------------|--|---|-------------------------------|----------|--------------|
|     |                   | A216 (STOCKING)<br>WCB                                 | A352<br>LCC   | A217<br>WC6 C5                |          | A351<br>CF8M |
| 1.  | Body              | A216 WCB   | A352 LCC  | A217 WC6                      | A217 C5  | A351 CF8M    |
| 2.  | Seat Ring         | A105   | A350 LF2, A182 F11, A182 F5, A182 F304 or A182 F316 |                               |          |              |
|     | " Surface         | HF (STL 6/CoCr-A) 13CR(ER410), 304, 316 or Monel       |   |                               |          |              |
| 3.  | Disc              | A105   | A350 LF2, A182 F11, A182 F5, A182 F304 or A182 F316 |                               |          |              |
|     | " Seating Surface | 13CR(ER410) HF (STL 6/CoCr-A), 304, 316 or Monel       |   |                               |          |              |
| 4.  | Hinge             | A216 WCB   | A352 LCC  | A217 WC6                      | A217 C5  | A351 CF8M    |
| 5.  | Washer            | A276 410 A182 F304 or A182 F316                        |   |                               |          |              |
| 6.  | Nut               | A276 410 A182 F304 or A182 F316                        |   |                               |          |              |
| 7.  | Pin               | A276 410 A182 F304 or A182 F316                        |   |                               |          |              |
| 8.  | Rivet             | ANSI 304   |   |                               |          |              |
| 9.  | Name Plate        | ANSI 304   |   |                               |          |              |
| 10. | Gasket            | 08F+Flexible Graphite F304 or F316 + Flexible Graphite |   |                               |          |              |
| 11. | Bonnet            | A216 WCB   | A352 LCC  | A217 WC6                      | A217 C5  | A351 CF8M    |
| 12. | Bolt              | A193 B7  | A320 L7   | A193 B16                      | A193 B16 | A193 B8      |
| 13. | Nut               | A194 2H  | A194 2H   | A194 4                        | A194 4   | A194 8       |
| 14. | Eye Bolt          | CARBON STEEL   |   |                               |          |              |
| 15. | Pin               | ANSI 304   |   |                               |          |              |
| 16. | Gasket            | SOFT IRON  |   | F316                          |          |              |
| 17. | Plug              | A276 410   |   | A182 F316                     |          |              |
| 18. | Gasket            | SOFT IRON  |   | F316                          |          |              |
| 19. | Gland             | A276 410   |   | A182 F304, A182 F316 or Monel |          |              |
| 20. | Hex Bolt          | CARBON STEEL   |   |                               | 316      |              |



Weights are approximate and construction is subject to change without notice.

**DIMENSION & WEIGHT**

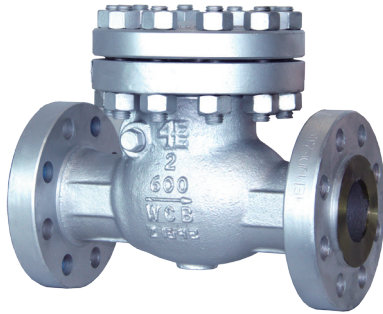
| SIZE     | unit | 2"    | 2-2/1" | 3"    | 4"    | 5"    | 6"    | 8"    | 10"   | 12"   | 14"   | 16"   | 18"   | 20"   | 24"   | 30"   |
|----------|------|-------|--------|-------|-------|-------|-------|-------|-------|-------|-------|-------|-------|-------|-------|-------|
| L(RF/BW) | inch | 10.50 | 11.50  | 12.50 | 14.00 | 15.75 | 17.50 | 21.00 | 24.50 | 28.00 | 33.00 | 34.00 | 38.50 | 40.00 | 53.00 | 62.75 |
|          | mm   | 287   | 292    | 318   | 356   | 400   | 444   | 533   | 622   | 711   | 838   | 864   | 978   | 1016  | 1346  | 1594  |
| L(RTJ)   | inch | 11.14 | 12.13  | 13.11 | 14.61 | 16.38 | 18.11 | 21.62 | 25.12 | 28.62 | 33.62 | 34.61 | 39.13 | 40.75 | 53.86 | -     |
|          | mm   | 283   | 308    | 333   | 371   | 416   | 460   | 549   | 638   | 727   | 854   | 879   | 994   | 1035  | 1368  | -     |
| B        | inch | 2.00  | 2.52   | 3.00  | 4.00  | 5.00  | 6.00  | 8.00  | 10.00 | 12.00 | 13.25 | 15.25 | 17.01 | 19.02 | 22.99 | 28.94 |
|          | mm   | 51    | 64     | 76    | 102   | 127   | 152   | 203   | 254   | 305   | 337   | 387   | 432   | 483   | 584   | 735   |
| H        | inch | 5.95  | 6.22   | 7.09  | 9.96  | 10.98 | 11.85 | 14.13 | 17.44 | 9.65  | 22.76 | 24.10 | 26.61 | 28.31 | 30.67 | 41.65 |
|          | mm   | 151   | 158    | 180   | 253   | 279   | 301   | 359   | 443   | 499   | 578   | 612   | 676   | 719   | 779   | 1058  |
| WT.      | KG   | 21    | 28     | 40    | 60    | 84    | 108   | 184   | 298   | 425   | 680   | 840   | 1025  | 1320  | 1960  | 4013  |
|          | LB   | 46    | 62     | 88    | 132   | 185   | 238   | 406   | 657   | 937   | 1499  | 1852  | 2260  | 2910  | 4321  | 8847  |

# Class 600 Swing Check Valve



**FIG.# 36WCB8F**

*Bolted Cover, Swing Type Disc, Threaded or Welded Seat Ring, ASTM A216 WCB*

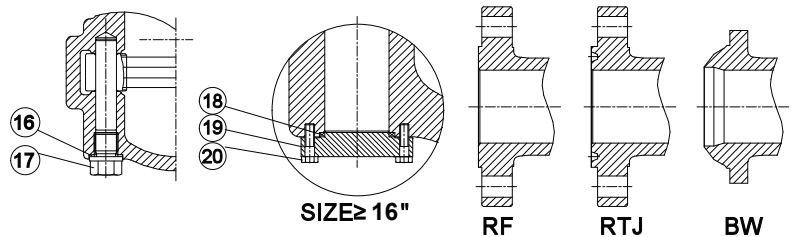
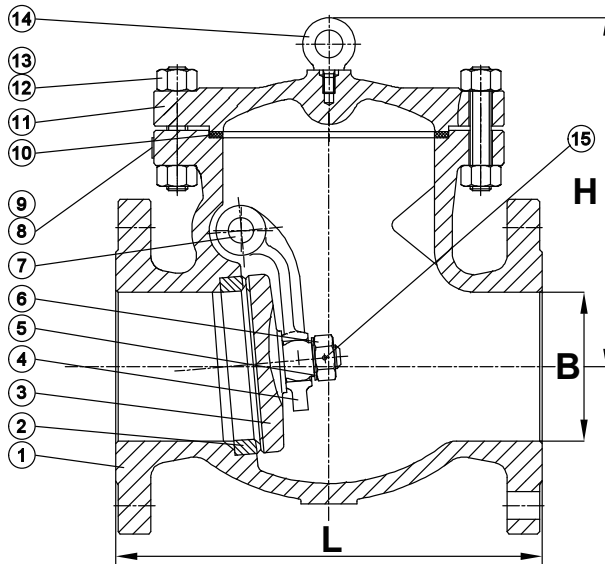


**STANDARDS COMPLIANCE:**

|                         |  |
|-------------------------|--|
| Basic Design            | BS 1868 & ASME B16.34  |
| Face to Face Dimensions | ANSI B 16.10   |
| End Flange Dimensions   | 2" to 24" ASME B16.5<br>≥26" to ASME B16.47-A&B<br>ASME B16.25 |
| Test Standard           | API 598  |

**MATERIAL LIST**

| No. | Part Name         | ASTM Specification (Specs-Grades/Types) |   |                                  |            |              |
|-----|-------------------|---|---|----------------------------------|------------|--------------|
|     |                   | A216 (STOCKING)<br>WCB                  | A352<br>LCC   | A217<br>WC6                      | A217<br>C5 | A351<br>CF8M |
| 1.  | Body              | A216 WCB                                | A352 LCC  | A217 WC6                         | A217 C5    | A351 CF8M    |
| 2.  | Seat Ring         | A105                                    | A350 LF2, A182 F11, A182 F5, A182 F304 or A182 F316 |                                  |            |              |
|     | " Surface         | HF (STL.6/CoCr-A)                       |   |                                  |            |              |
| 3.  | Disc              | A105                                    | A350 LF2, A182 F11, A182 F5, A182 F304 or A182 F316 |                                  |            |              |
|     | " Seating Surface | 13CR(ER410), 304, 316 or Monel          |   |                                  |            |              |
| 4.  | Hinge             | A216 WCB                                | A352 LCC  | A217 WC6                         | A217 C5    | A351 CF8M    |
| 5.  | Washer            | A182 F304 or A182 F316                  |   |                                  |            |              |
| 6.  | Nut               | A182 F304 or A182 F316                  |   |                                  |            |              |
| 7.  | Pin               | A182 F304 or A182 F316                  |   |                                  |            |              |
| 8.  | Rivet             | ANSI 304                                |   |                                  |            |              |
| 9.  | Name Plate        | ANSI 304                                |   |                                  |            |              |
| 10. | Gasket            | 08F+Flexible Graphite                   |   | F304 or F316 + Flexible Graphite |            |              |
| 11. | Bonnet            | A216 WCB                                | A352 LCC  | A217 WC6                         | A217 C5    | A351 CF8M    |
| 12. | Bolt              | A193 B7                                 | A320 L7   | A193 B16                         | A193 B16   | A193 B8      |
| 13. | Nut               | A194 2H                                 | A194 L7   | A194 4                           | A194 4     | A194 8       |
| 14. | Eye Bolt          | CARBON STEEL                            |   |                                  |            |              |
| 15. | Pin               | ANSI 304                                |   |                                  |            |              |
| 16. | Gasket            | SOFT IRON                               |   | F316                             |            |              |
| 17. | Plug              | A276 410                                |   |                                  |            |              |
| 18. | Gasket            | SOFT IRON                               |   |                                  |            |              |
| 19. | Gland             | A276 410                                |   |                                  |            |              |
| 20. | Hex Bolt          | CARBON STEEL                            |   |                                  |            |              |



Weights are approximate and construction is subject to change without notice.

**DIMENSION & WEIGHT**

| SIZE     | unit | 2"    | 2-2/1" | 3"    | 4"    | 5"    | 6"    | 8"    | 10"   | 12"   | 14"   | 16"   | 18"    | 20"    | 24"   |
|----------|------|-------|--------|-------|-------|-------|-------|-------|-------|-------|-------|-------|--------|--------|-------|
| L(RF/BW) | inch | 11.50 | 13.00  | 14.00 | 17.00 | 20.00 | 22.00 | 26.00 | 31.00 | 33.00 | 35.00 | 39.00 | 43.00  | 47.00  | 55.00 |
|          | mm   | 292   | 330    | 356   | 432   | 508   | 559   | 660   | 787.4 | 838   | 889   | 990.6 | 1092.2 | 1193.8 | 1397  |
| L(RTJ)   | inch | 11.62 | 13.11  | 14.13 | 17.13 | 20.12 | 22.13 | 26.14 | 31.14 | 33.11 | 35.11 | 39.13 | 43.11  | 47.25  | 55.39 |
|          | mm   | 295   | 333    | 359   | 435   | 511   | 562   | 664   | 791   | 841   | 892   | 994   | 1095   | 1200   | 1407  |
| B        | inch | 2.00  | 2.52   | 3.00  | 4.00  | 5.00  | 6.00  | 7.88  | 9.76  | 11.73 | 12.87 | 14.76 | 16.50  | 18.27  | 22.01 |
|          | mm   | 51    | 64     | 76    | 102   | 127   | 152   | 200   | 248   | 298   | 327   | 375   | 419    | 464    | 559   |
| H        | inch | 6.02  | 7.56   | 7.40  | 10.43 | 13.58 | 14.17 | 18.58 | 21.58 | 23.82 | 24.33 | 27.87 | 31.42  | 30.51  | 32.99 |
|          | mm   | 153   | 192    | 188   | 265   | 345   | 360   | 472   | 555   | 605   | 618   | 708   | 798    | 775    | 838   |
| WT.      | KG   | 36    | 42     | 45    | 84    | 164   | 200   | 360   | 589   | 777   | 944   | 1220  | 1620   | 2119   | 3100  |
|          | LB   | 80    | 93     | 100   | 185   | 362   | 441   | 794   | 1299  | 1713  | 2081  | 2690  | 3572   | 4672   | 6834  |