

2000 PSI DUCTILE IRON SWINGCHECK VALVE



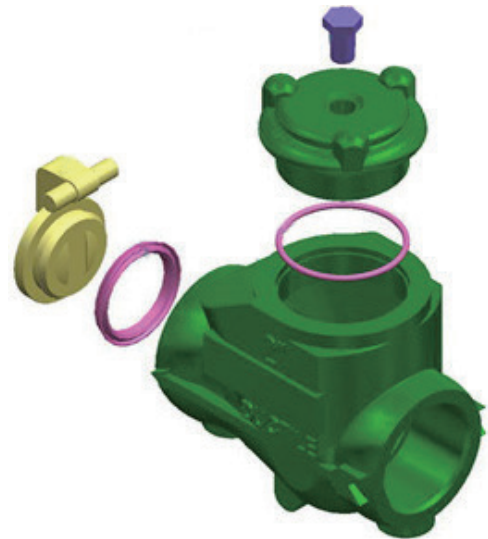
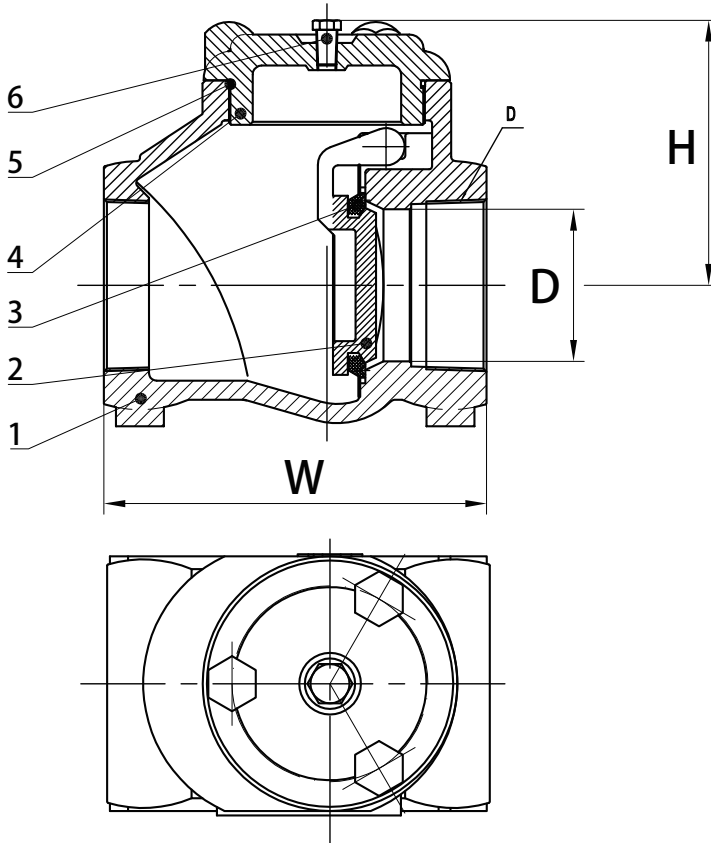
DICV

FIG.# 4E-320DF3

Ductile Iron Body
 Swing Check
 2000 PSI, 300 to 2000 W.O.G.
 Full Opening
 NACE MR-0175 Compliant
 Groove End Customized

Nominal Pressure	2000	PSI
Shell Test (by Water)	3000	
Seal Test (by Water)	2200	
Seal Test (by Air)	60 ~ 100	
Threads conforms to	ANSI B1.20.1 BS21 DN 259/2999	
Temperature Range	-10°C (14°F) ~ 80°C (176°F)	

MATERIAL LIST		
No.	Part Name	Material
1.	Body	ASTM A395
2.	Disk	SS 304
3.	Seat	VITON
4.	Bonnet	A395
5.	Gasket	VITON
6.	Pipe Plug	Steel



DIMENSIONS & WEIGHT						
SIZE	unit	1" FP DICV25 2000 PSI	2" FP DICV50 2000 PSI	2"-Long FP DICVL50 2000 PSI	3" FP DICV80 2000 PSI	4" FP DICV100 2000 PSI
D	inch	1	2	3.03	3.03	3.98
	mm	25.4	50.8	50.8	77	101
W	inch	4.25	6.30	7.33	8.27	10
	mm	108	160	186	210	254
H	inch	3.23	4.09	5.35	5.35	7.80
	mm	82	104	136	136	198
WT.	lbs.	6.06	10.58	14.11	27.56	58.42
	kgs.	2.75	4.8	6.4	12.5	26.5

