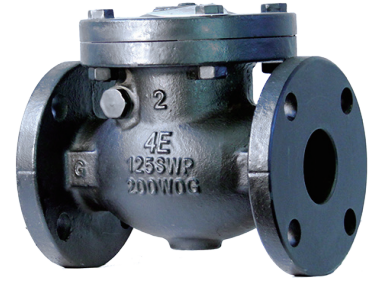


Class 125 SWING CHECK VALVE



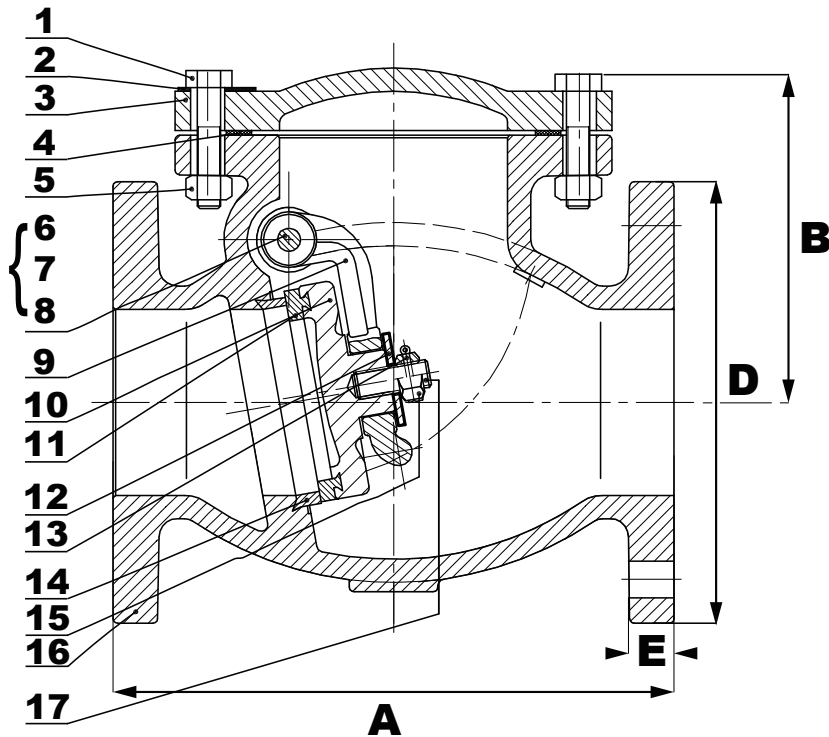
FIG.# 32CFE5F

125 lb. SWP-200 lb, WOG non-shock,
Bolted Bonnet, Flanged Ends



STANDARDS COMPLIANCE:

1. Flange shape and drilling to specifications ANSI B 16.1 (125lb.)
2. Conforms to: MSS SP-71
3. Face to face dimensions conform to ANSI B16.1 (125lb.)



MATERIAL LIST		
No.	Part Name	Material
1.	Bolts	ASTM A307 B
2.	Name Plate	AL Commercial
3.	Bonnet	ASTM A126 B
4.	Body Gasket	Graphite Non Asbestos
5.	Nuts	ASTM A307 B
6.	Hinge Pin Plug	ASTM B16
7.	Gasket	PTFE Non Asbestos
8.	Hinge Pin	ASTM B16
9.	Hinge	ASTM A536 65-45-12
10.	Disc	ASTM A126 B
11.	Disc Ring	ASTM B62
12.	Washer	ASTM A307 B
13.	Split Pin	ASTM 420 S42000
14.	Seat Ring	ASTM B62
15.	Nuts	ASTM A307 B
16.	Body	ASTM A126 B
17.	Bolt	ASTM A126 B

NOTE: 1. Weights are approximate and detail of construction are subject to change without notice.

DIMENSION & WEIGHT

SIZE	unit	2"	2-2/1"	3"	4"	5"	6"	8"	10"	12"	14"	16"	18"	20"	24"
A	inch	8	8.5	9.5	11.5	13	14	19.5	24.5	27.5	31	36	36	40	48
	mm	203	216	241	292	330	356	495	622	698	787	914	914	1016	1219
B	inch	4.44	5.25	5.63	6.41	7.75	8.34	10.13	11.75	13	15.75	19.38	19.88	20.75	30.25
	mm	113	133	143	163	197	212	257	298	330	400	492	505	527	741.1
D	inch	6	7	7.5	9	10	11	13.5	16	19	20	23	25	27.5	32
	mm	152	178	190	228.6	254	280	343	406	483	533	597	635	699	813
E	inch	0.63	0.69	0.75	0.94	0.94	1	1.18	1.22	1.25	1.38	1.44	1.56	1.68	1.87
	mm	15.9	17.5	19	23.8	23.8	25.4	30	31	31.8	35	36.6	39.7	42.9	47.6
Weight	LBS	25.4	38.1	46.3	79.4	121.3	156	266.8	432.1	639.3	870.8	1146.4	1329.4	1891.6	2866
	Kgs.	11.5	17.3	21	36	55	71	121	196	290	395	520	603	858	1300