



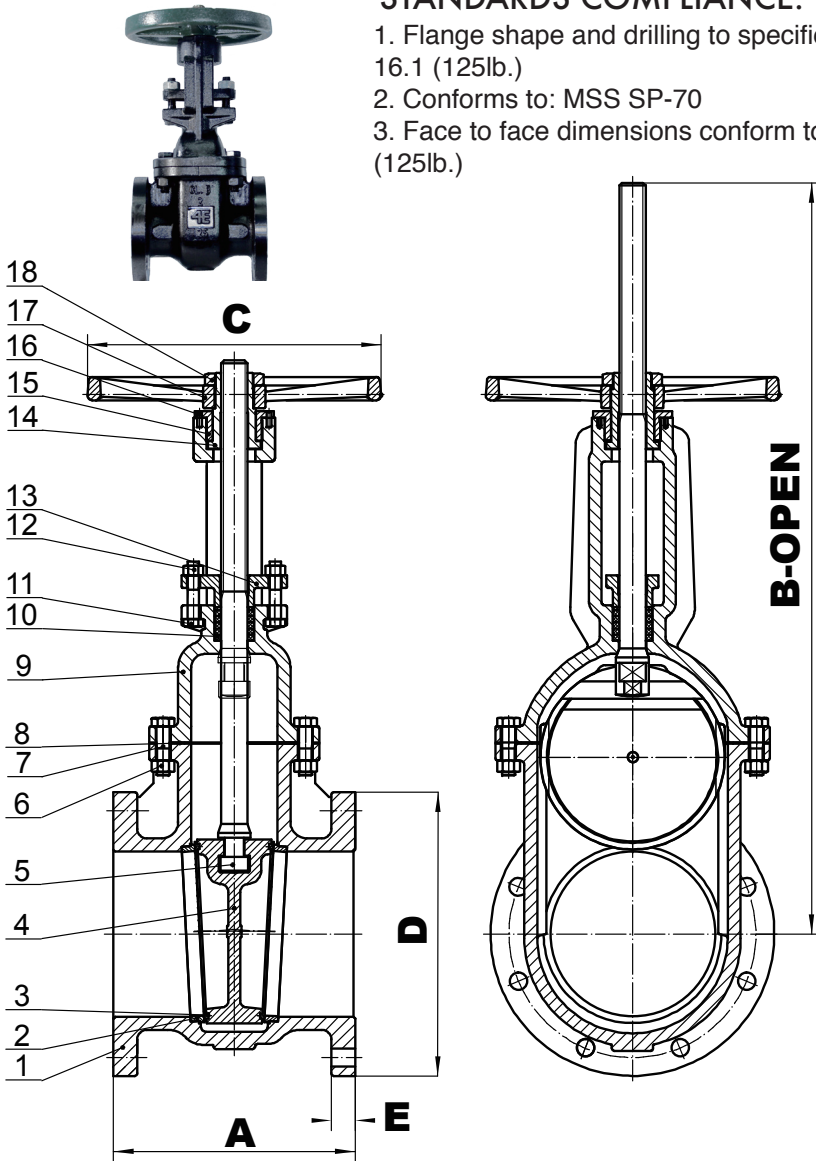
# Class 125 OS&Y GATE VALVE

## STANDARDS COMPLIANCE:

1. Flange shape and drilling to specifications ANSI B 16.1 (125lb.)
2. Conforms to: MSS SP-70
3. Face to face dimensions conform to ANSI B16.1 (125lb.)

## FIG.# 12CFE5F

125 lb. SWP-200 lb,  
WOG non-shock, OS&Y,  
Solid Wedge Disc, Bolted  
Bonnet, Gland Packed,  
Flanged Ends



MATERIAL LIST		
No.	Part Name	Material
1.	Body	ASTM A126 B
2.	Body Sealing	ASTM B 62
3.	Disc Sealing	ASTM B 62
4.	Disc	ASTM A126 B
5.	Stem	ASTM B 16
6.	Nut	ASTM A 563A
7.	Bolt	ASTM A 307 B
8.	Gasket	08+Flexible Graphite
9.	Bonnet	ASTM A126 B
10.	Packing	Flexible Graphite
11.	Bolt	ASTM A 307 B
12.	Nut	ASTM A 563 A
13.	Packing Gland	ASTM A536 65-45-12
14.	Stem Nut	ASTM B 62
15.	Lock Nut	ASTM A536 65-45-12
16.	Bolt	35
17.	Handwheel	ASTM A 536 65-45-12
18.	Handwheel Nut	Q235

NOTE: 1. 2"-3" Disc Material: ASTM A356 65-45-12  
2. Available with iron trim  
3. Weight are approximate and detail of construction are subject to change without notice.

## DIMENSION & WEIGHT

SIZE	unit	2"	2-2/1"	3"	4"	5"	6"	8"	10"	12"	14"	16"	18"	20"	24"	30"	36"
A	inch	7	7.5	8	9	10	10.5	11.5	13	14	15	16	17	18	20	24	36
	mm	178	191	203	229	254	267	292	330	356	381	406	432	457	508	610	711
B-OPEN	inch	14.75	16.06	17.38	21.44	25.81	30.31	37.75	49.41	56.81	64.88	75.25	82.00	90.62	105.38	134	160
	mm	375	408	441	545	656	770	959	1255	1442	1648	1911	2083	2302	2677	3404	4064
C	inch	8	8	8	10	10	12	14	18	18	20	22	22	24	30	36	42
	mm	203	203	203	254	254	305	356	457	457	508	559	559	610	762	914	1067
D	inch	6	7	7.5	9	10	11	13.5	16	19	20.98	23.5	25	27.52	32.01	38.75	46
	mm	152.4	177.8	190.5	228.6	254	279.4	342.9	406.4	482.6	532.9	596.9	635	699.01	813.1	984	1168
E	inch	0.62	0.69	0.75	0.94	0.94	1	1.12	1.19	1.25	1.38	1.44	1.56	1.69	1.88	2.13	2.38
	mm	15.75	17.53	19.05	23.88	23.88	25.4	28.45	30.23	31.75	35.05	36.58	39.62	42.93	47.75	54	60
Weight	LBS	35	44	55	88	108	139	242	258	524	1093	1425	1738	2085	3183	4800	8700
	Kgs.	16	20	25	40	49	63	110	117	238	496	647	789	946	1445	2177	3946