



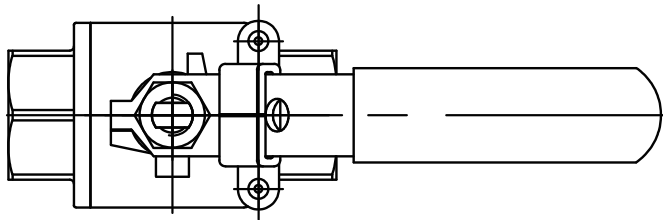
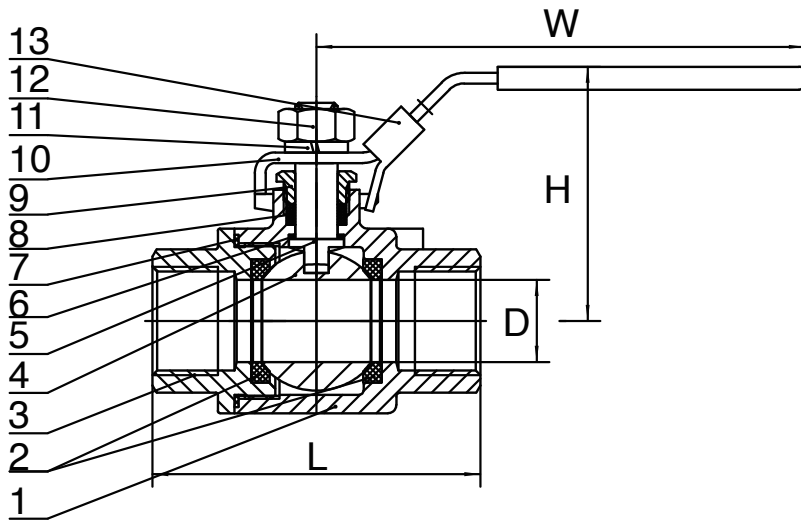
# 2000PSI 2PCS FP STAINLESS STEEL BALL VALVE

**FIG.# 4E-420C8M16T-2P-FP**

**Sizes: 1/4" - 2" @2,000 PSI NSCWP**

Full Stainless Steel, Blowout proof stem  
 NPT end connections, Locking Handle,  
 Drilled and tapped mounting holes standard  
 Seal-Welded 2-piece Body, Full Port  
 NACE MR-0175 Compliant  
 Specifications Inspection and Test: API 598  
 Design & Manufacture: ASTM B16.34  
 NPT Threads Conforms to ANSI B1.20.1, BS21, DN 259/2999

Performance Table			
Nominal Pressure		2000	PSI
Test Pressure	Strength Test	20.7	MPa
	Seal Test	15.2	
	Air Seal Test	0.6	
Working Temperature		- 29°C (- 20°F) ~ 163°C (325°F)	
Applicable Media: Water, Steam, Oil, Acetic Acid			



MATERIAL LIST		
No.	Part Name	Material
1.	Body	CF8M
2.	Seat	RPTFE
3.	Bonnet	CF8M
4.	Ball	SS 316
5.	Stem	SS 316
6.	Gasket	RPTFE
7.	Seal Ring	RPTFE
8.	Packing	PTFE
9.	Packing Gland	SS 304
10.	Handle	SS 201
11.	Spring Washer	SS 304
12.	Hex Nut	SS 201
13.	Locking Device	SS 201

DIMENSIONS									
SIZE	unit	1/4"	3/8"	1/2"	3/4"	1"	1-1/4"	1-1/2"	2"
D	mm	11.5	12.5	15.0	20.0	25.0	32.0	38.0	49.0
	inch	0.453	0.492	0.591	0.787	0.984	1.260	1.496	1.929
L	mm	62.0	62.0	64.0	72.0	90.0	102.0	115.0	135.0
	inch	2.441	2.441	2.520	2.835	3.543	4.016	4.528	5.315
H	mm	53.0	56.0	62.0	65.0	72.0	77.0	94.0	101.0
	inch	2.087	2.205	2.441	2.559	2.835	3.031	3.701	3.976
W	mm	95.0	107.0	101.0	119.0	145.0	148.0	160.0	180.
	inch	3.740	4.213	3.976	4.685	5.709	5.827	6.299	7.087
Weight	kg.	0.33	0.32	0.37	0.55	0.92	1.40	2.17	3.68
	lbs.	0.728	0.705	0.816	1.221	2.03	3.086	4.784	8.116



Weights are approximate and construction is subject to change without notice.

| 4E Valve | www.4evalue.com | phone +1(281)494-4300 | fax +1(281)494-0090 | email joe@4evalue.com, jenny@4evalue.com, sales@4evalue.com |