



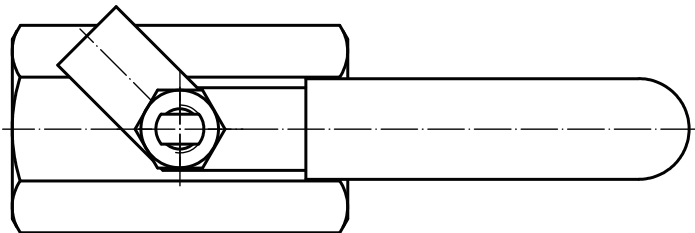
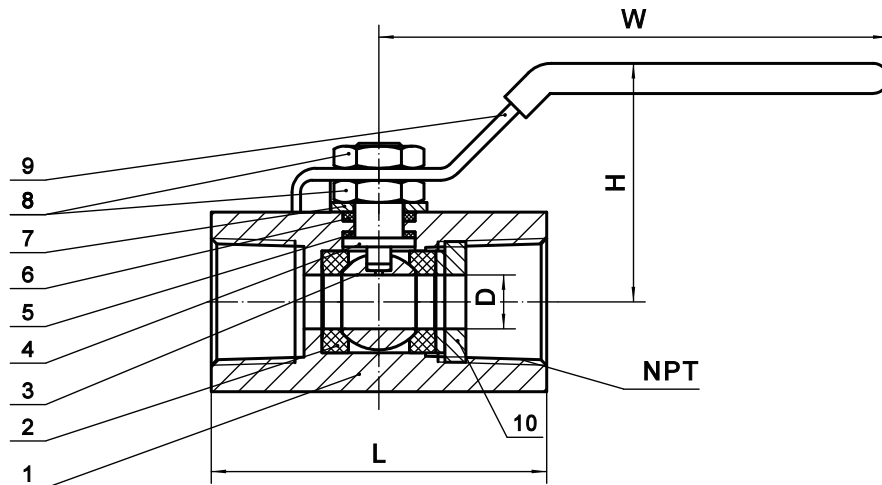
# 2000PSI 1PC RP FORGED STEEL BALL VALVE

**FIG.# 4E-420FGO16T-1P-RP**

**Sizes: 1/4" - 2" @2,000 PSI NSCW**

Forged Steel Body, Blowout proof stem  
 NPT end connections, Locking Handle,  
 1-Piece Body (Uni-body), Reduced Port  
 NACE MR-0175 Compliant  
 Specifications Inspection and Test: API 598  
 Design & Manufacture: ASTM B16.34  
 NPT Threads Conforms to ANSI B1.20.1, BS21, DN 259/2999

Performance Table		
Nominal Pressure	2000	PSI
Test Pressure	Strength Test	20.7
	Seal Test	15.2
	Air Seal Test	0.6
Working Temperature	- 29°C (- 20°F) ~ 163°C (325°F)	
Applicable Media: Water, Steam, Oil, Acetic Acid		



MATERIAL LIST		
No.	Part Name	Material
1.	Body	A105
2.	Seat	RPTFE
3.	Ball	SS 316
4.	Stem	SS 316
5.	Gasket	RPTFE
6.	Packing	RPTFE
7.	Gasket	SS 201
8.	Hex Nut	SS 201
9.	Handle	SS 201
10.	End Cap	A105

DIMENSIONS									
SIZE	unit	1/4"	3/8"	1/2"	3/4"	1"	1-1/4"	1-1/2"	2"
D	mm	5.1	7.1	9.1	12.4	15.0	20.1	24.9	32.0
	inch	0.20	0.28	0.36	0.49	0.59	0.79	0.98	1.26
L	mm	42.9	47.0	63.0	70.1	86.1	94.0	102.1	113.0
	inch	1.69	1.85	2.48	2.76	3.39	3.70	4.02	4.45
H	mm	34.0	34.0	42.9	43.9	59.9	64.0	68.0	79.0
	inch	1.34	1.34	1.69	1.73	2.36	2.52	2.68	3.11
W	mm	84.1	84.1	93.0	100.1	119.9	134.9	152.1	169.9
	inch	3.31	3.31	3.66	3.94	4.72	5.31	5.99	6.69
Weight	kg.	0.12	0.17	0.31	0.48	0.94	1.37	1.70	2.90
	lbs.	0.265	0.374	0.683	1.058	2.072	3.02	3.748	6.393



Weights are approximate and construction is subject to change without notice.

4E Valve | www.4evalve.com | phone +1(281)494-4300 | fax +1(281)494-0090 | email joe@4evalve.com, jenny@4evalve.com, sales@4evalve.com |