



3000/5000 PSI CAST STEEL BALL VALVE

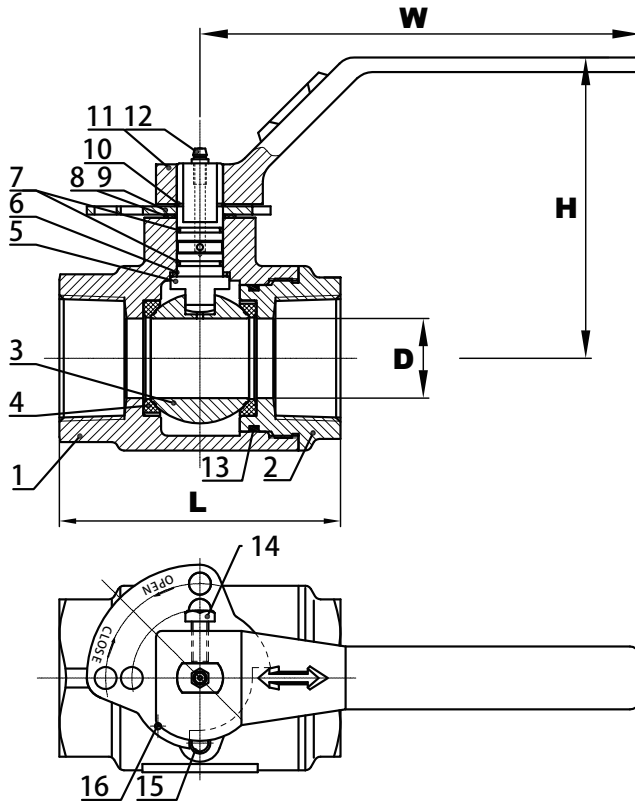
CSBV

FIG.# 4E-430WCB-T-FP/RP

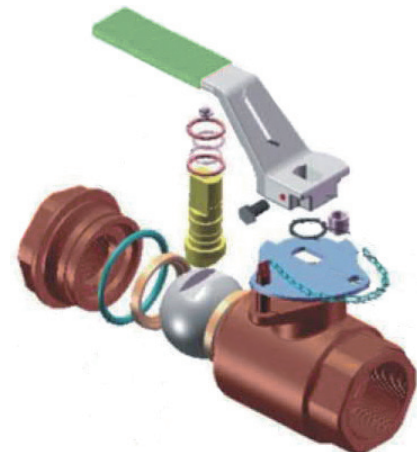
Lever Operated, Threaded
 Floating Ball, 3000/5000 W.O.G.
 Blow-Out Proof Stem
 Fire Safe Design
 Rugged Locking Device
 Grease Fitting
 NACE MR-0175 Compliant
 Inspect and Test: API 598

Nominal Pressure	3000	PSI
Shell Test (by Water)	4500	
Seal Test (by Water)	3300	
Seal Test (by Air)	60 ~ 100	
NPT end connection conforms to	ANSI B1.20.1 BS21 DN 259/2999	
Temperature Range	-10°C (14°F) ~ 180°C (356°F)	

MATERIAL LIST		
No.	Part Name	Material
1.	Body	A216 WCB
2.	Bonnet	A216 WCB
3.	Ball	SS 304
4.	Seat	DELTRIN
5.	Stem	SS 304
6.	Stem Washer	RPTFE
7.	Stem O-Ring	VITON
8.	Thrusting Bearing	PTFE
9.	Stop Collar	A194 2H
10.	Snap Ring	6150
11.	Handle	WCB
12.	Grease Zerk	SS 420
13.	Body Seal	VITON
14.	Handle Screw	Steel
15.	Stop Bolt	Steel
16.	Pin with Screw	Copper & Steel



DIMENSIONS & WEIGHT						
SIZE	unit	1" FP CSBVFP25 3000 PSI	2" RP CSBVRP50 3000 PSI	2" RP CSBVRP51 5000 PSI	2" FP CSBVFP50 3000PSI	3" FP CSBVFP80 3000 PSI
D	inch	1	1.50	1.50	2.00	3.00
	mm	25	38	38	51	76
L	inch	4.00	5.51	5.51	6.02	8.74
	mm	102	140	140	153	222
W	inch	6.25	8.27	8.27	10.63	14.96
	mm	159	210	210	270	380
H	inch	3.19	5.67	5.67	5.87	7.05
	mm	81	144	144	149	179
WT.	lbs.	4.5	14	14	20	43
	kgs.	2.04	6.35	6.35	9.07	19.5



Weights are approximate and construction is subject to change without notice.